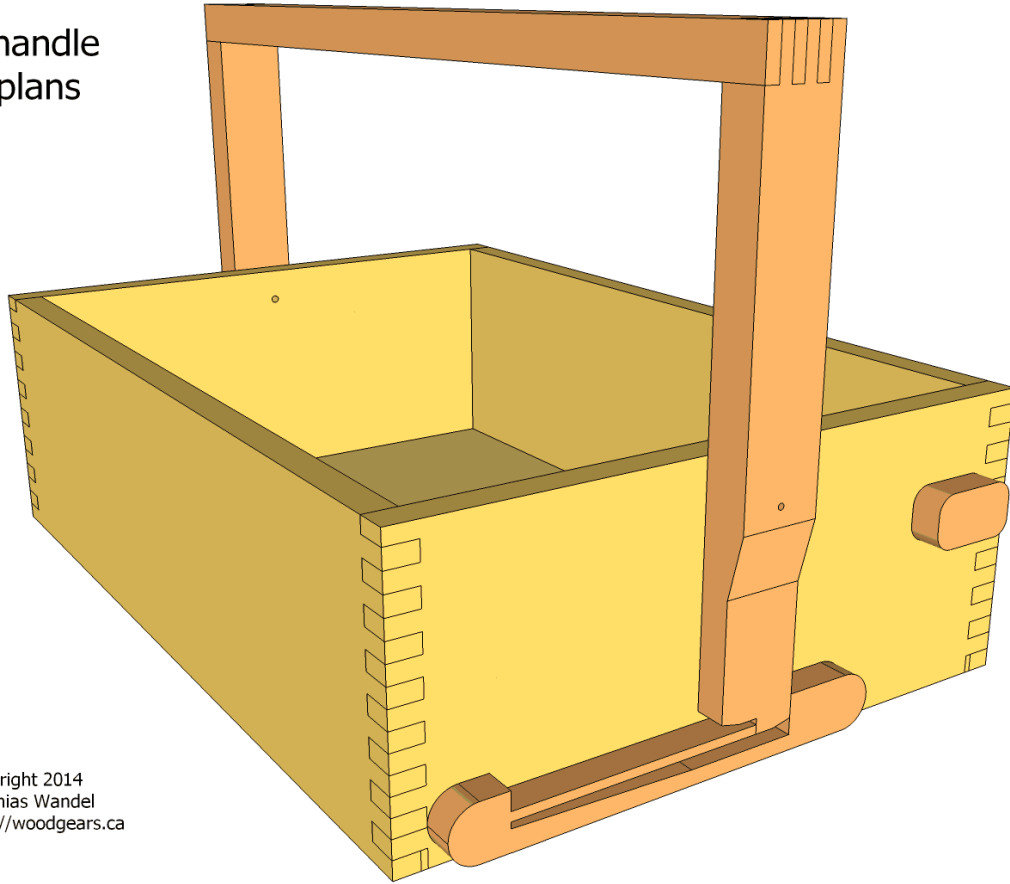


Flip-handle tray plans



Copyright 2014
Matthias Wandel
<http://woodgears.ca>

Box dimensions and assembly

